

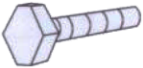

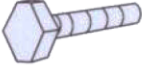

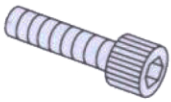

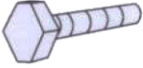

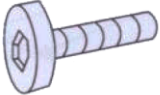
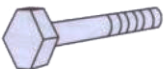





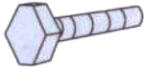

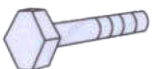

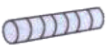







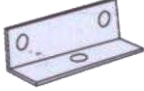

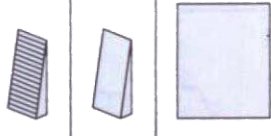
**SAMLEVEJLEDNING
ASSEMBLY INSTRUCTIONS
MONTAGEANLEITUNG**

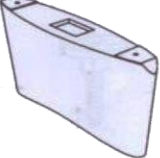

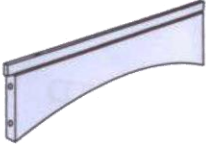
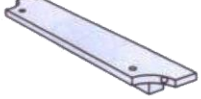
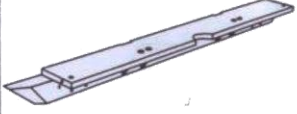
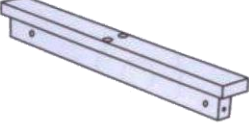


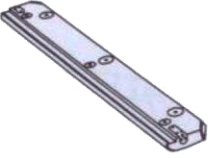
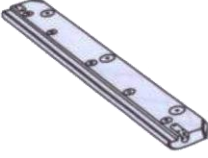
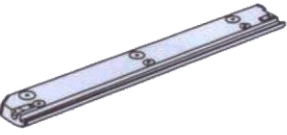
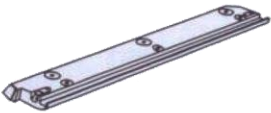
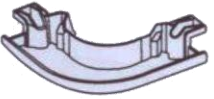
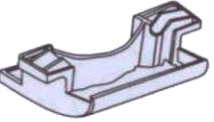
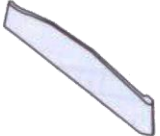
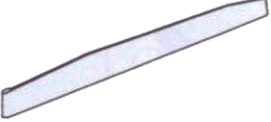




Søgaard Pro pool



Tjek om alle delene er i kassen inden du går i gang med at samle bordet:

A		B	
<p>A1</p>  <p>3/8"X1-3/4" Bolt 18 pieces</p>	<p>A2</p>  <p>3/8"X38mm Washer 18 pieces</p>	<p>B1</p>  <p>3/8"X1-1/4" Bolt 12 pieces</p>	<p>B2</p>  <p>3/8"X32mm Washer 12 pieces</p>
<p>C</p>  <p>3/16"X3/4" Bolt 12 pieces</p>	<p>D</p>		<p>E</p>  <p>Slate level 18 pieces</p>
	<p>D1</p>  <p>5/16"X2" Bolt 18 pieces</p>	<p>D2</p>  <p>5/16"X23mm Washer 18 pieces</p>	
<p>F</p>  <p>1/4"X3/4" Bolt 32 pieces</p>	<p>G</p>		
	<p>G1</p>  <p>3/8"X3-1/2" Bolt 8 pieces</p>	<p>G2</p>  <p>3/8" Washer 16 pieces</p>	<p>G3</p>  <p>3/8" Nut 8 pieces</p>
<p>H1</p>  <p>10mm Nut 12 pieces</p>	<p>H2</p>  <p>10X25mm Washer 12 pieces</p>	<p>H3</p>  <p>10X160mm Bolt 12 pieces</p>	<p>I1</p>  <p>1/2"X2" Bolt 4 pieces</p>
<p>I2</p>  <p>1/2"X35mm Washer 4 pieces</p>	<p>J</p>		<p>K</p>
	<p>J1</p>  <p>1/2"X3" Bolt 4 pieces</p>	<p>J2</p>  <p>1/2"X35mm Washer 4 pieces</p>	<p>K1</p>  <p>3/4"X3-1/2" screw 4 pieces</p>
<p>K2</p>  <p>3/4" Nut 4 pieces</p>	<p>L</p>		<p>M</p>
	<p>L1</p>  <p>F4X1" screw 4 pieces</p>	<p>L2</p>  <p>T4X1/2" Screw 4 pieces</p>	<p>M1</p>  <p>12#X3" Screw 12 pieces</p>

M	N	O	P
<p>M2</p>  <p>Allen Wrench 1 piece</p>	 <p>Leg angle steel 4 pieces</p>	 <p>Panel angle steel 8 pieces</p>	 <p>8 pieces</p>

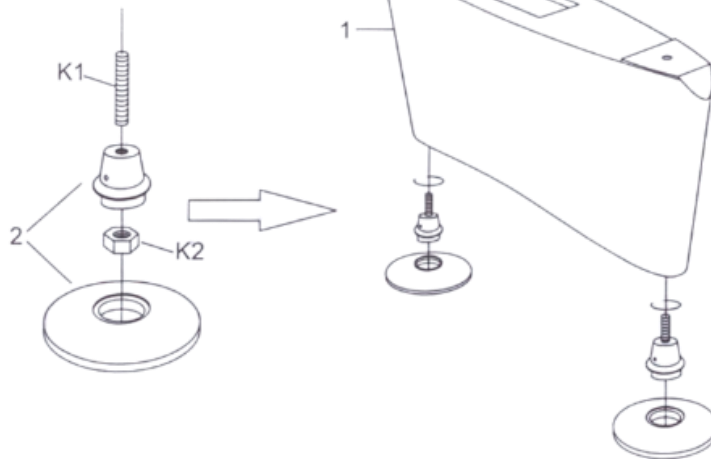
<p>#1</p>  <p>Leg 2 pieces</p>	<p>#2</p>  <p>Leg Leveler 4 sets</p>	<p>#3</p>  <p>Leg Stretcher 1 piece</p>	<p>#4</p>  <p>End cross bean 2 piece</p>
<p>#5</p>  <p>Main beam 2 pieces</p>	<p>#6</p>  <p>Mid cross bean 2 pieces</p>	<p>#7</p>  <p>Cloth 1 piece</p>	<p>#8</p>  <p>Slate 1 set</p>
<p>#9</p>  <p>End rail A 1 piece</p>	<p>#10</p>  <p>End rail B 1pieces</p>	<p>#11</p>  <p>Side rail A 2 pieces</p>	<p>#12</p>  <p>Side rail B 2 pieces</p>
<p>#13</p>  <p>End rail corner 4 piece</p>	<p>#14</p>  <p>Side rail corner 2 piece</p>	<p>#15</p>  <p>End apron 2 pieces</p>	<p>#16</p>  <p>Side apron 2 pieces</p>
<p>#17</p>  <p>Triangle support 1 piece</p>	<p>#18</p>  <p>Cue support 1 piece</p>	<p>#19</p>  <p>Basket A 4 pieces</p>	<p>#20</p>  <p>Basket B 2 pieces</p>

#21

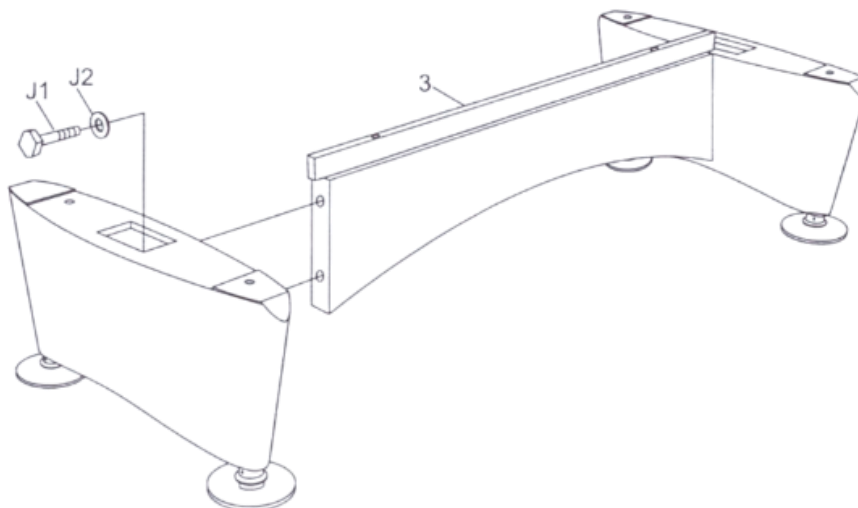


Protector
12 pieces

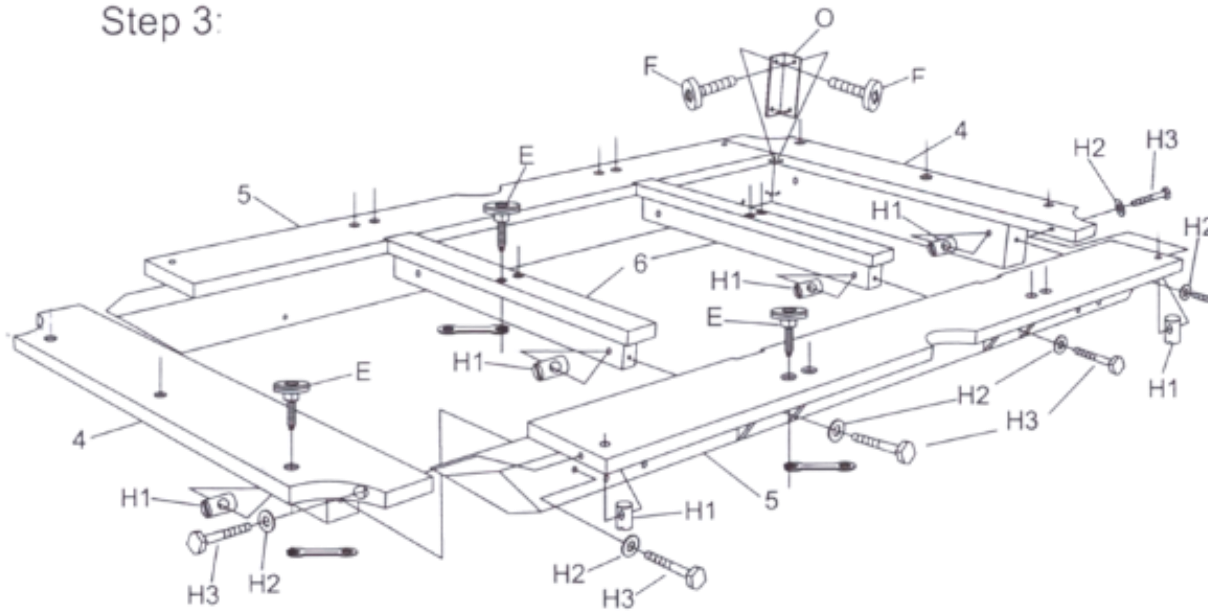
Step 1



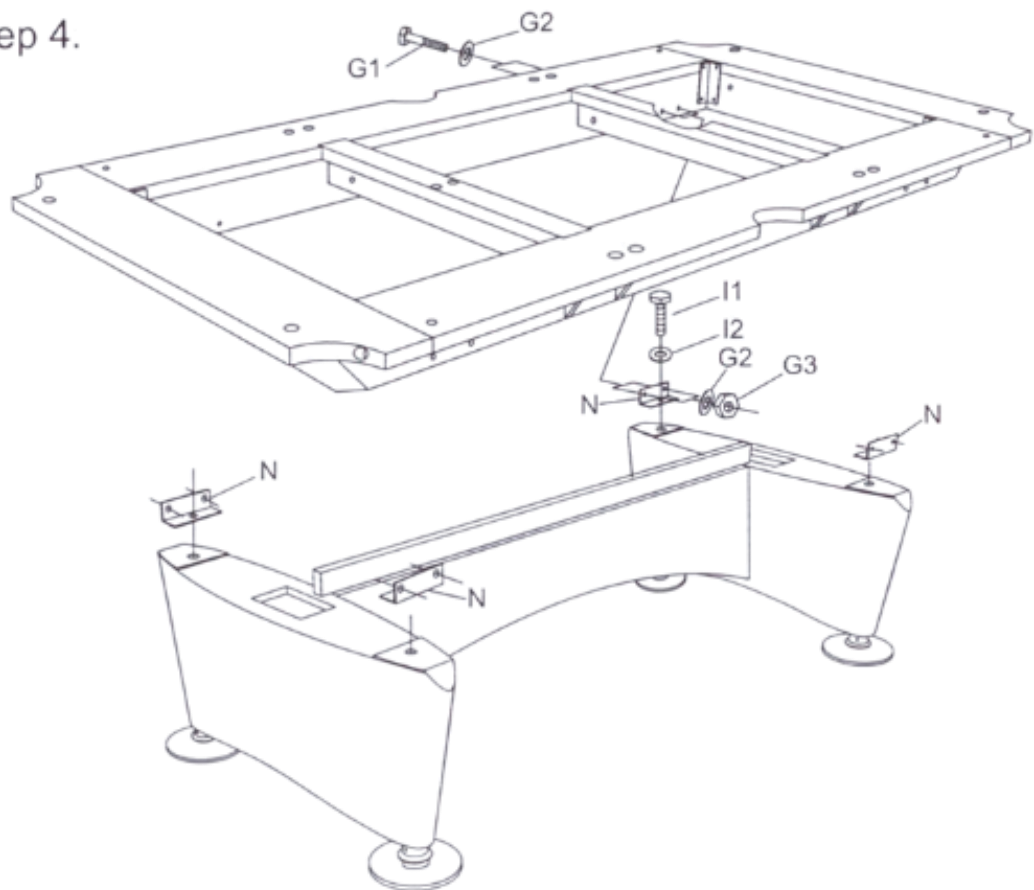
Step 2

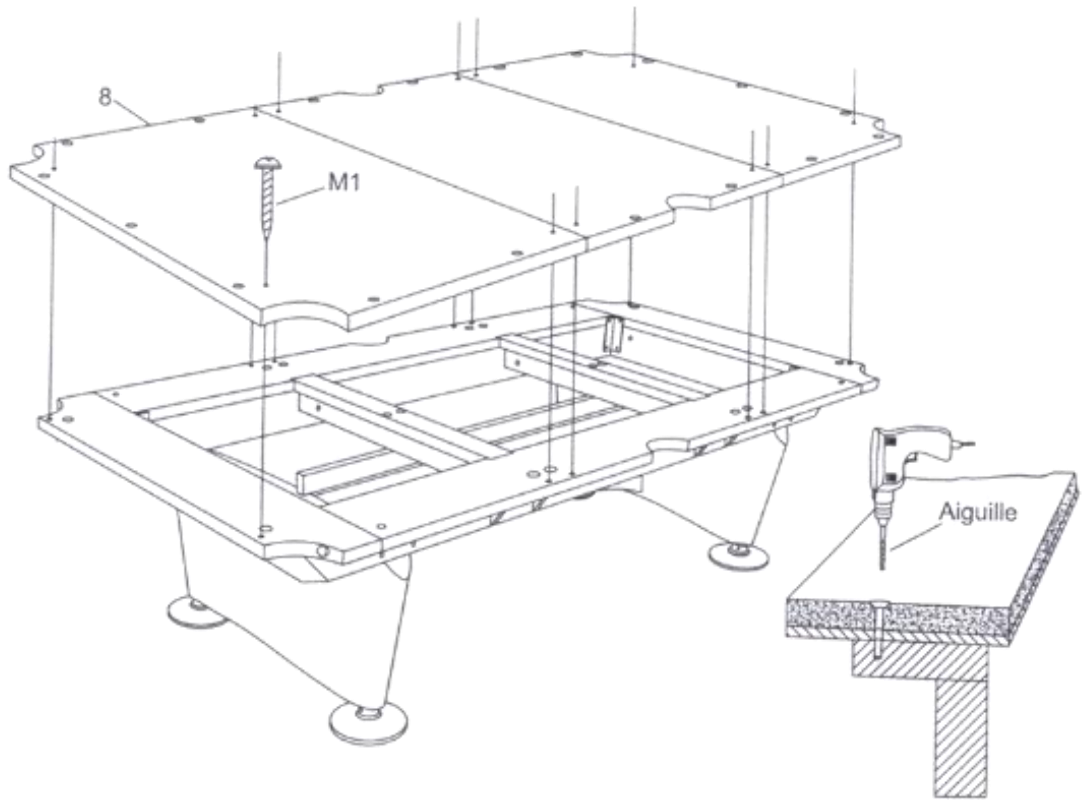


Step 3:

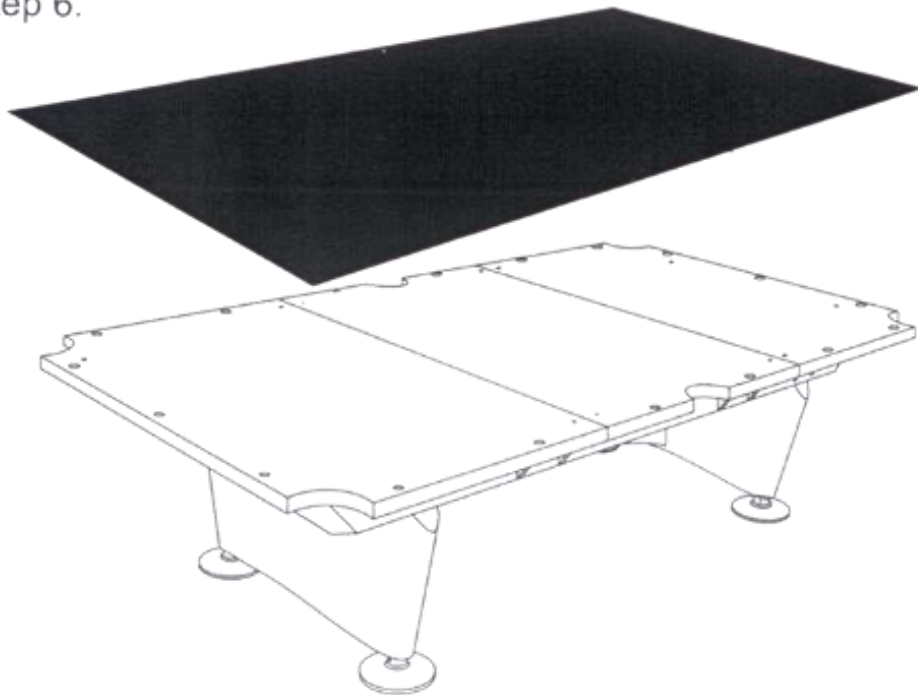


Step 4.

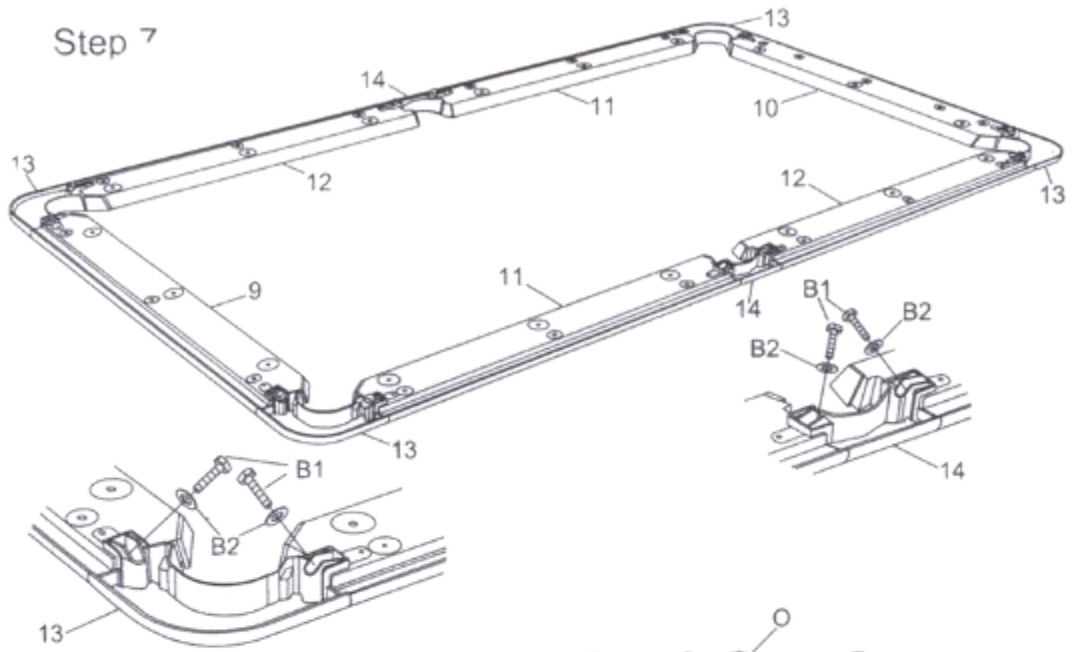




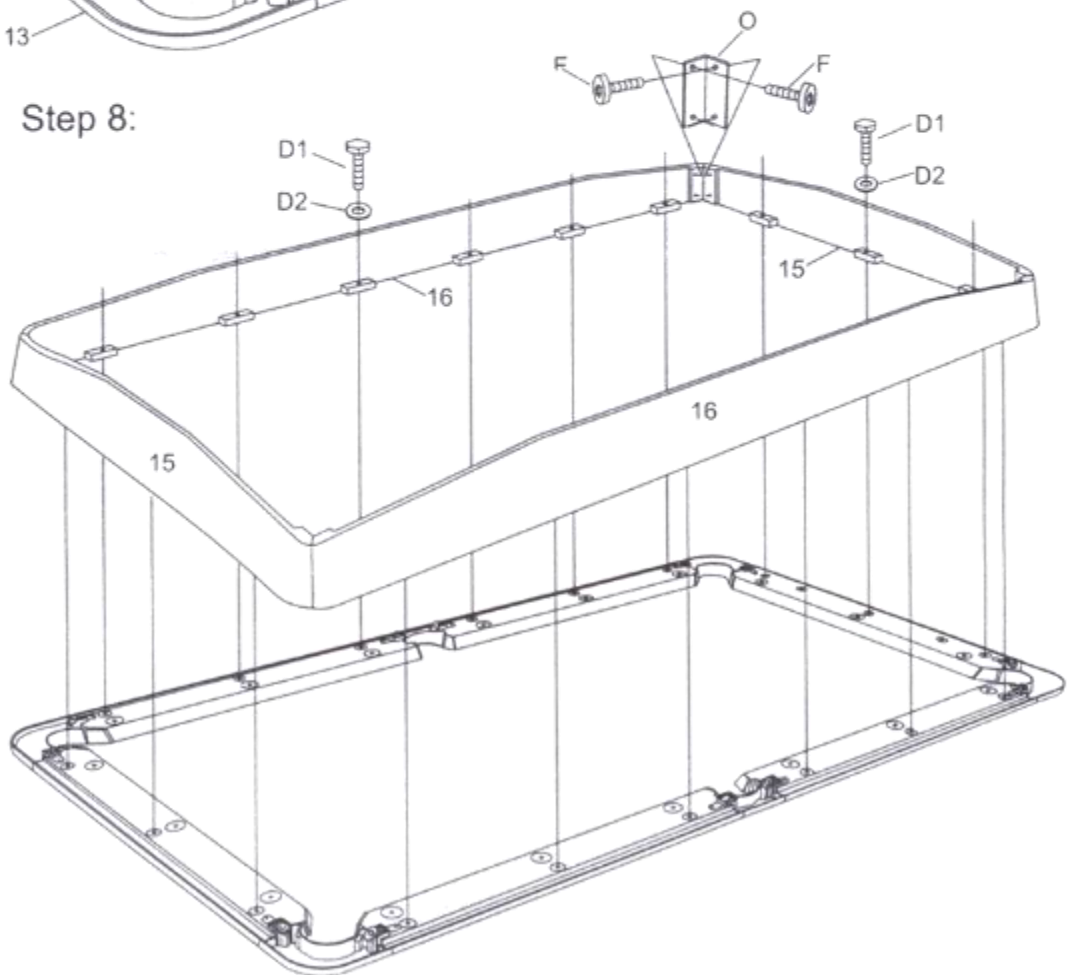
Step 6.

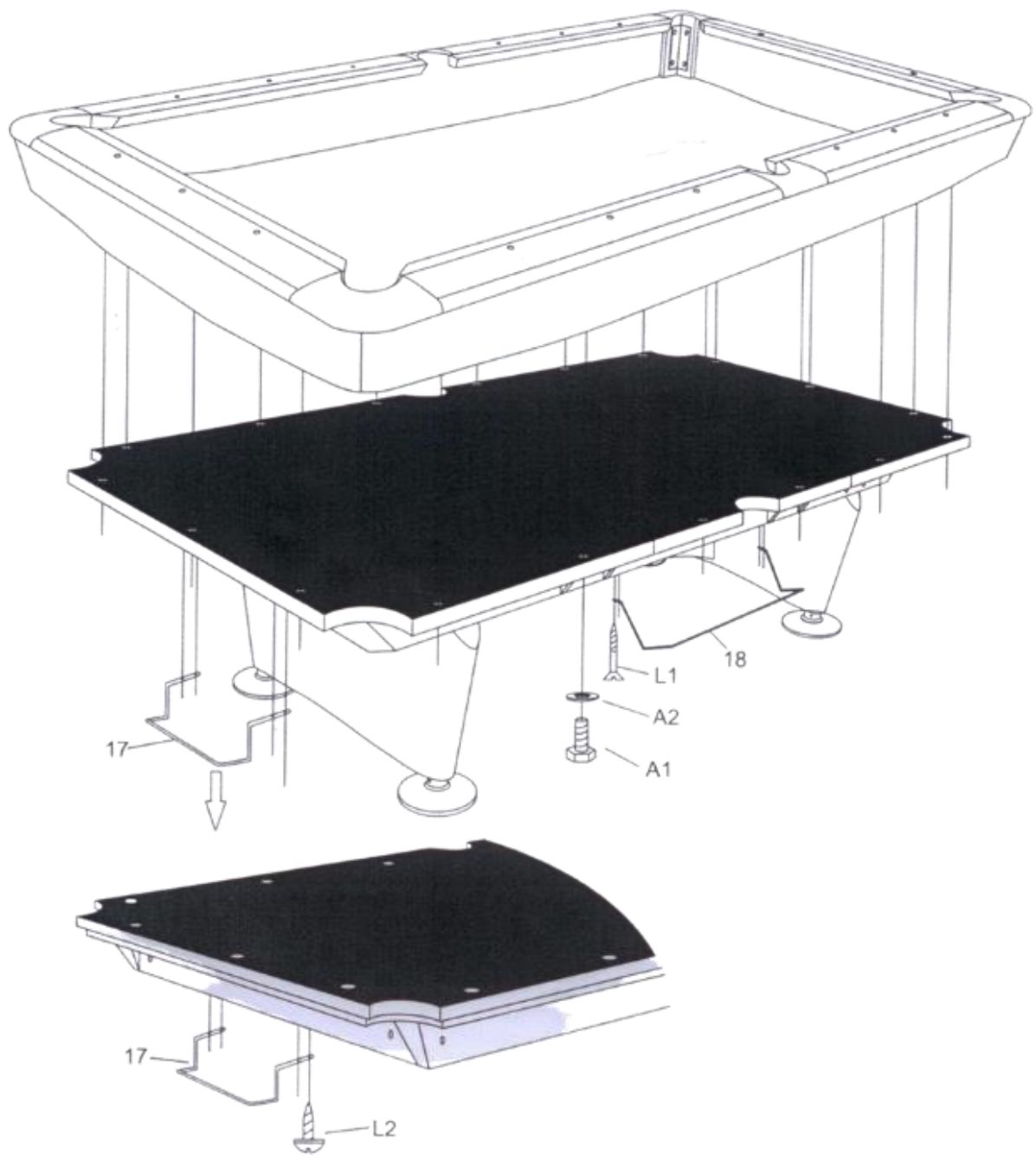


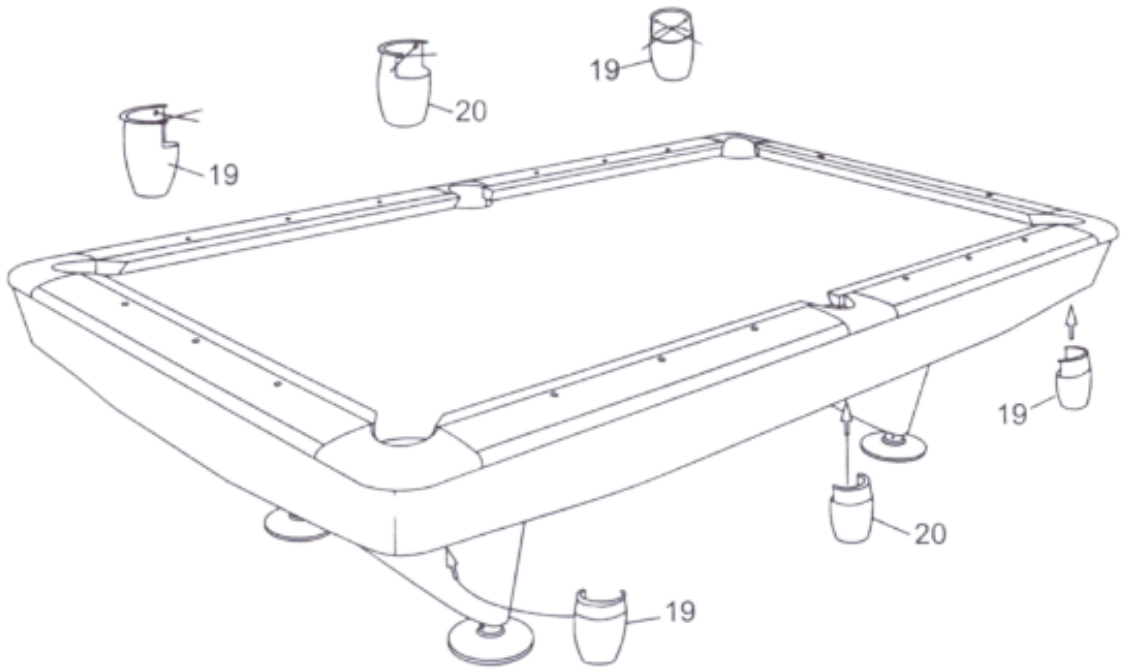
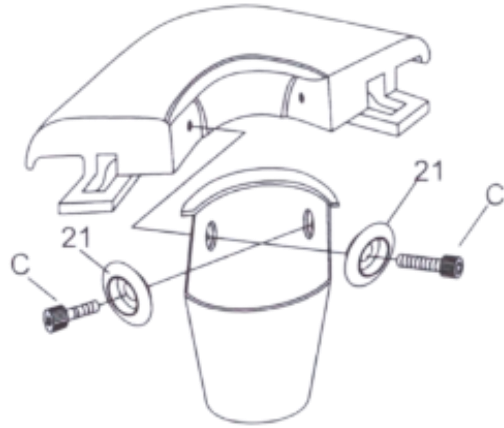
Step 7

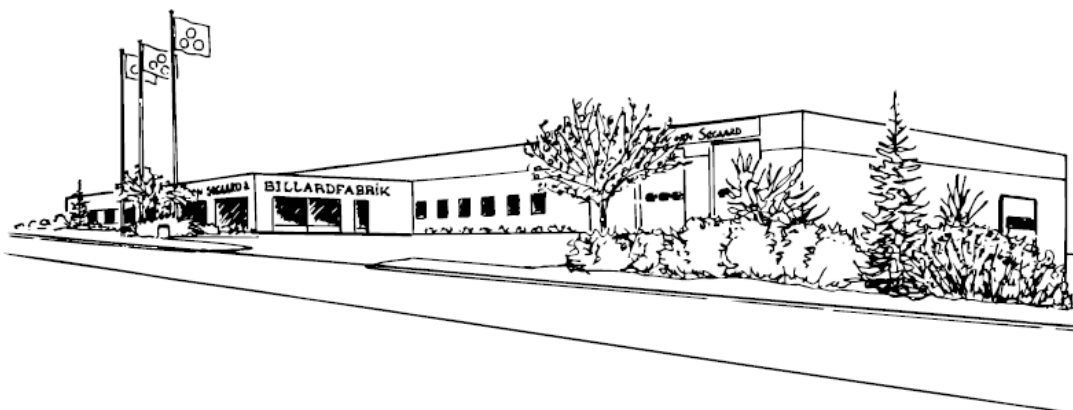


Step 8:









SØREN SØGAARD A/S